

United States Patent [19]

Jones

[11] Patent Number: **4,490,110**

[45] Date of Patent: **Dec. 25, 1984**

[54] PLENUM ARRANGEMENT

4,395,832 8/1983 Jones et al. 432/77

1983 Jones et al. 4,395,832 8/1983 Jones et al. 432/77 Primary Examiner: Henry C. Voss

Dr., Chalfont, Pa. 18914

Attorney, Agent, or Firm—William E. Cleaver

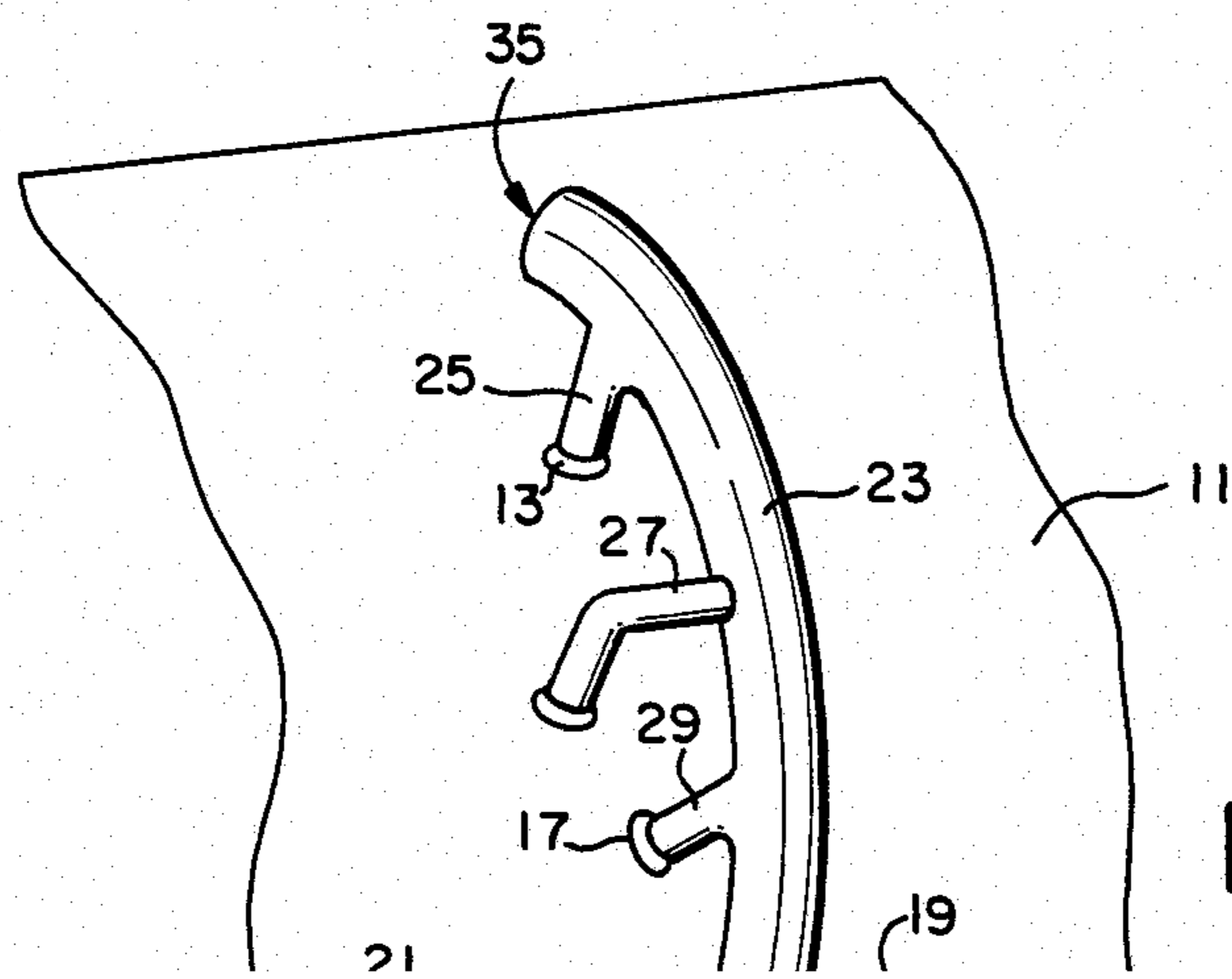
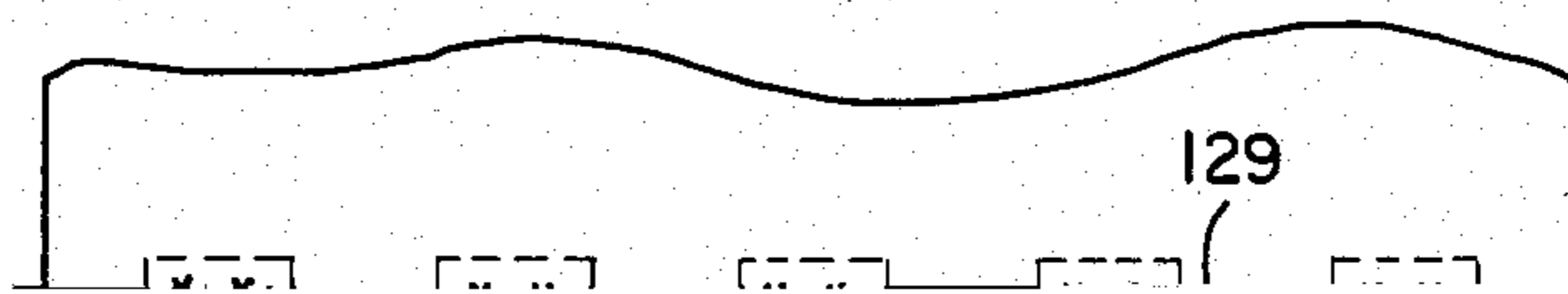


FIG. 1
PRIOR ART



PLENUM ARRANGEMENT

BACKGROUND

Work piece for testing its permeability

of apertures and in each of the apertures, there is located a nozzle. The chamber of the plenum is sealed against the ambient atmosphere. In addition, in the chamber of the plenum there is mounted a plurality of

5 baffles or gas deflecting members with each being

4,490,110

3

4

become brittle and in removing the pipe assembly the ... passing along the path 79 is also spreading into sections

5

6

nozzle which will be secured to the common wall as substantially to the top of the plenum chamber and
described in connection with FIG. 2. Also, as can be seen in close proximity to the inner wall 44. The